



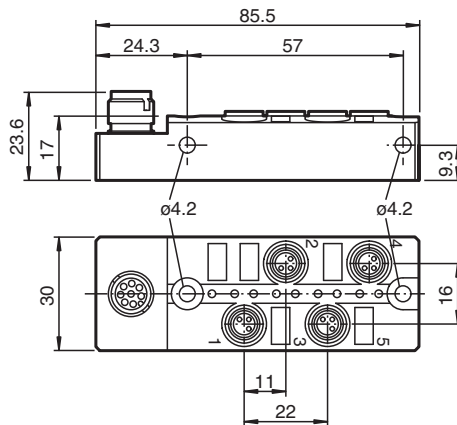
Splitter box M8 V3-4A-E2-V19

- Fast, flexible installation/separation
- LED indicator for module supply and I/O status
- Degree of protection IP67

Splitter box 4 x M8 single allocation, with 8-pole M12 plug



Dimensions



Technical Data

General specifications

| | | |
|-----------------------------------|--|----------------------------|
| Connector 1 | | |
| Connection | | socket |
| Construction type | | 4x M8 |
| Locking | | screw connection |
| Number of pins | | 3 |
| Coding | | A-coded |
| Connector 2 | | |
| Connection | | plug |
| Construction type | | M12 |
| Locking | | screw connection |
| Number of pins | | 8 |
| Coding | | A-coded |
| UL File Number | | E223772 |
| Indicators/operating means | | |
| LED green | | supply voltage each module |
| LED yellow | | I/O status indication |

Release date: 2023-04-13 Date of issue: 2023-04-13 Filename: 70132541_eng.pdf

Refer to "General Notes Relating to Pepperl+Fuchs Product Information".

Pepperl+Fuchs Group
www.pepperl-fuchs.com

USA: +1 330 486 0001
fa-info@us.pepperl-fuchs.com

Germany: +49 621 776 1111
fa-info@de.pepperl-fuchs.com

Singapore: +65 6779 9091
fa-info@sg.pepperl-fuchs.com

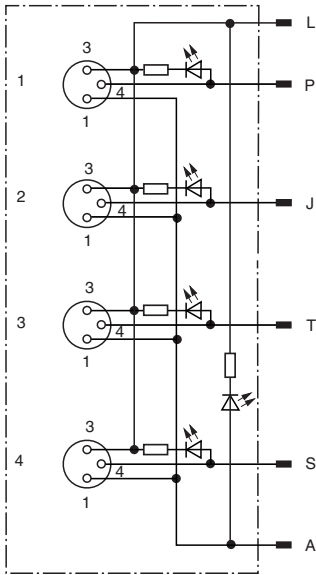
PEPPERL+FUCHS

Technical Data

| | | |
|----------------------------------|----------------|--|
| Electrical specifications | | |
| Operating voltage | U _B | 24 V DC, max. 30 V DC |
| Operating current | I _B | ≤ 5 mA per channel indication element |
| Current loading capacity | | ≤ 2 A per channel, ≤ 2 A per plug-in station, ≤ 2 A total current per splitter box |
| Conformity | | |
| Degree of protection | | EN 60529 |
| Plug connection | | connector M8 x 1 : IEC 61076-2-104 connector M12 x 1 : IEC 61076-2-101 |
| Flammability | | UL 94 |
| Ambient conditions | | |
| Ambient temperature | | -25 ... 80 °C (-13 ... 176 °F) |
| Mechanical specifications | | |
| Connector 1 | | |
| Tightening torque | | 0.2 Nm |
| Mating cycles | | min. 100 |
| Connector 2 | | |
| Tightening torque | | 0.4 Nm |
| Mating cycles | | min. 100 |
| Degree of protection | | IP67 |
| Material | | |
| Plug connector | | |
| Screw connection | | Cu alloy , nickel-plated |
| Body | | PBT, black |
| Seal | | FKM |
| Contact surface | | Ni/Au |
| Flammability | | V-0 |
| General information | | |
| Note | | During installation of cables respect the maximum allowed bending radius. Excessive bending forces endanger the degree of protection. Secure the connector from mechanical forces, for example by means of cable ties. Close unused plug-in slots prior to commissioning. Respective sealing elements you will find under "accessories". |

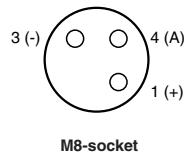
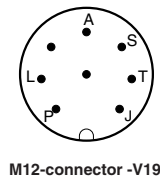
Release date: 2023-04-13 Date of issue: 2023-04-13 Filename: 70132541_eng.pdf

Connection



| M12-connector -V19 | M8-socket/pole |
|--------------------|-------------------|
| P | 1/4 (A) |
| J | 2/4 (A) |
| T | 3/4 (A) |
| S | 4/4 (A) |
| A | 1 ... 4/1 (+24 V) |
| L | 1 ... 4/3 (0 V) |

Displays



Accessories

| | | |
|---|-----------------|---------------------------|
|  | VAZ-V3-B | Blind plug for M8 sockets |
|---|-----------------|---------------------------|

Release date: 2023-04-13 Date of issue: 2023-04-13 Filename: 70132541_eng.pdf