



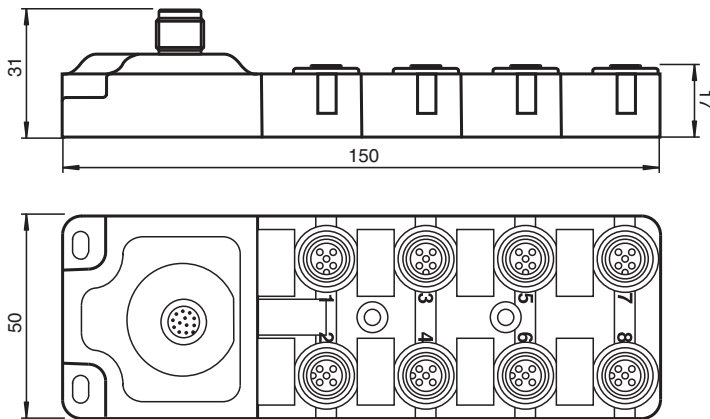
## Splitter boxes V1-8A-E2-V112

- Fast, flexible installation/separation
- LED indicator for module supply and I/O status
- Degree of protection IP67

8-way passive distributor with M12 plug, 12-pin



### Dimensions



### Technical Data

#### General specifications

<b>Connector 1</b>	
Connection	socket
Construction type	8x M12
Locking	screw connection
Number of pins	5
Coding	A-coded
<b>Connector 2</b>	
Connection	plug
Construction type	M12
Locking	screw connection
Number of pins	12
Coding	A-coded
UL File Number	E223772
<b>Indicators/operating means</b>	
LED green	supply voltage each module
LED yellow	I/O status indication

Release date: 2023-04-13 Date of issue: 2023-04-13 Filename: 297553\_eng.pdf

Refer to "General Notes Relating to Pepperl+Fuchs Product Information".

Pepperl+Fuchs Group  
www.pepperl-fuchs.com

USA: +1 330 486 0001  
fa-info@us.pepperl-fuchs.com

Germany: +49 621 776 1111  
fa-info@de.pepperl-fuchs.com

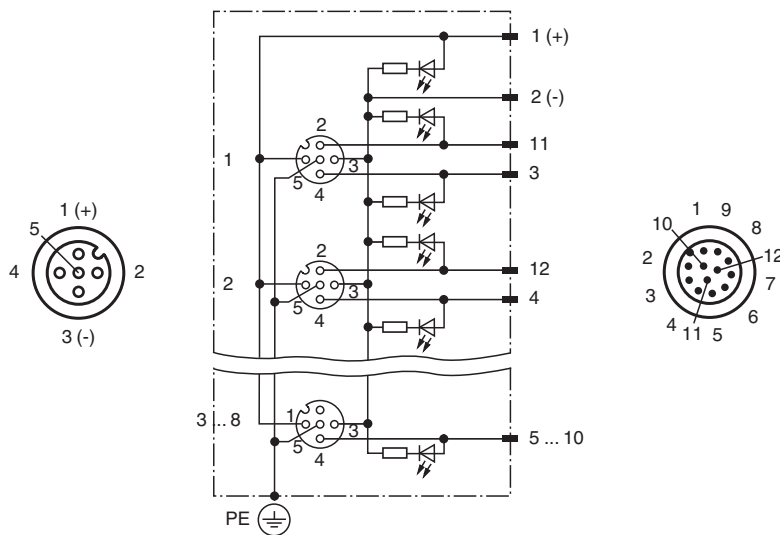
Singapore: +65 6779 9091  
fa-info@sg.pepperl-fuchs.com

 **PEPPERL+FUCHS**

## Technical Data

Electrical specifications		
Operating voltage	$U_B$	24 V DC
Operating current	$I_B$	max. 1.5 A per contact
Current loading capacity		≤ 1.5 A per contact 1.5 A Total current
Conformity		
Degree of protection		EN 60529
Plug connection		connector M12 x 1 : IEC 61076-2-101
Ambient conditions		
Ambient temperature		-20 ... 70 °C (-4 ... 158 °F)
Mechanical specifications		
Degree of protection		IP65/IP67
Material		
Housing		Plastic ABS, flame resistant
Mass		approx. 150 g

## Connection



## Accessories

	<b>VAZ-V1-B3L</b>	Blind plug for M12 sockets
---	-------------------	----------------------------

Release date: 2023-04-13 Date of issue: 2023-04-13 Filename: 297553\_eng.pdf