

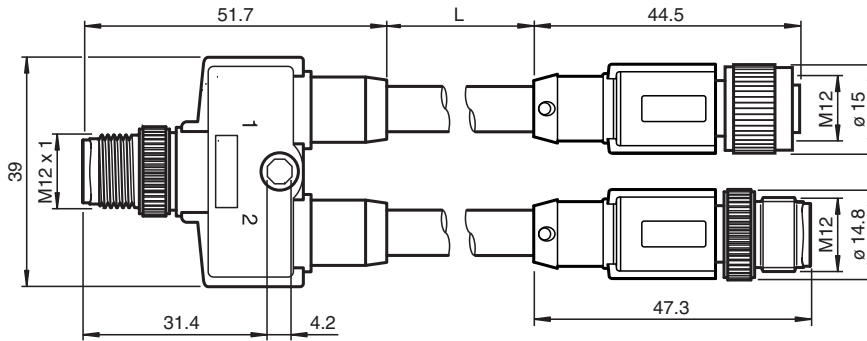
Y connection cable

ICZ-3T-0,3M-PUR ABG-V15B-G



- Replacement of devices without bus interruption possible
- Screen put on the coupling nut and Pin 5
- Data transmission up to 12 MBaud

Y connection cable for PROFIBUS



Technical Data

General specifications

Number of pins	2 + 1 x screen
Transfer rate	max. 12 MBit/s

Electrical specifications

Rated voltage	U_r	30 V
Rated current	I_r	4 A
Volume resistance		$\leq 5 \text{ m}\Omega$

Ambient conditions

Ambient temperature	Body: -25 ... 90 °C (-13 ... 194 °F) cable, fixed: -40 ... 80 °C (-40 ... 176 °F) cable, flexing: -20 ... 80 °C (-4 ... 176 °F)
---------------------	---------------------------------------------------------------------------------------------------------------------------------------

Mechanical specifications

Degree of protection	IP65
Connection	4-pin M12 connector/socket, B-coded for PROFIBUS
Material	
Contacts	CuSn
Contact surface	Ni/Au
Body	TPU, black
Cable	PUR

Release date: 2020-03-24 Date of issue: 2020-03-27 Filename: 249684_eng.pdf

Refer to "General Notes Relating to Pepperl+Fuchs Product Information".

Pepperl+Fuchs Group
www.pepperl-fuchs.com

USA: +1 330 486 0001
fa-info@us.pepperl-fuchs.com

Germany: +49 621 776 1111
fa-info@de.pepperl-fuchs.com

Singapore: +65 6779 9091
fa-info@sg.pepperl-fuchs.com

pf PEPPERL+FUCHS

Technical Data

Slotted nut	Zinc die-casting, nickel-plated	
Core insulation	PE	
Cable		
Sheath diameter	Ø 7.8 mm	
Bending radius	> 10 x cable diameter, moving	
Color	violet	
Cores	2 x 0.25 mm ²	
Length	L	0.3 m
Mass	approx. 105 g	

Connection Assignment

