



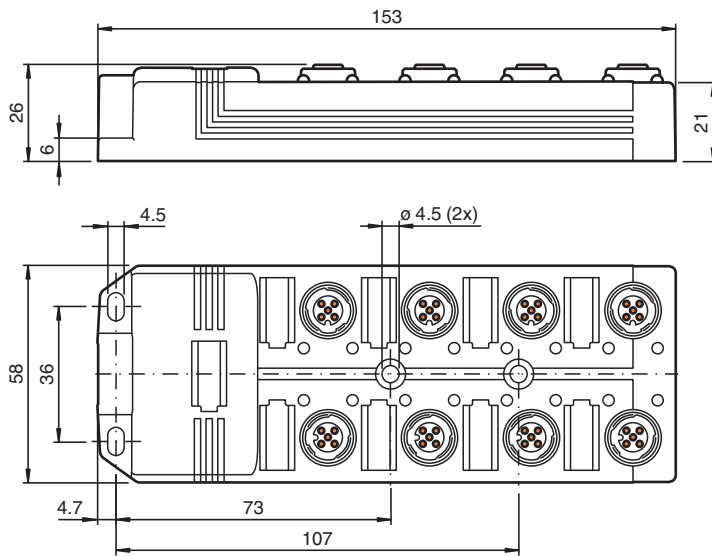
## Splitter boxes V1-8/16A-5M-PUR-O4

- Twin communication of the plug-in stations
- Flat housing
- Degree of protection IP65 / IP67 / IP69
- Suitable for drag chains and abrasion resistant

Splitter box octuple, twin configuration, with trunk cable



### Dimensions



### Technical Data

#### General specifications

Connector 1	
Connection	socket
Construction type	8x M12
Locking	screw connection
Number of pins	5
Coding	A-coded
Customization	8 connections , twin configuration
Connector 2	
Connection	cable end

Release date: 2023-04-13 Date of issue: 2023-04-13 Filename: 285362\_eng.pdf

Refer to "General Notes Relating to Pepperl+Fuchs Product Information".

Pepperl+Fuchs Group  
www.pepperl-fuchs.com

USA: +1 330 486 0001  
fa-info@us.pepperl-fuchs.com

Germany: +49 621 776 1111  
fa-info@de.pepperl-fuchs.com

Singapore: +65 6779 9091  
fa-info@sg.pepperl-fuchs.com

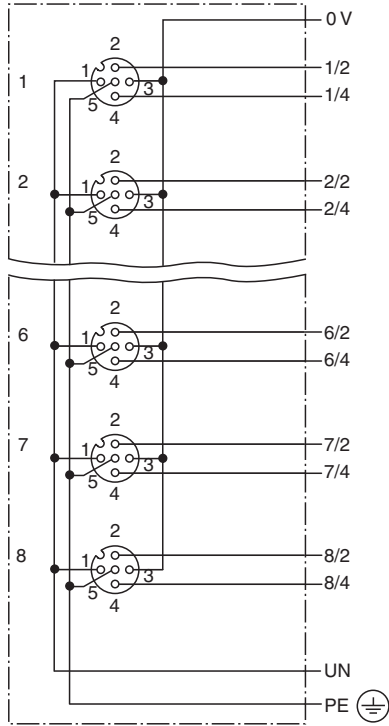
 PEPPERL+FUCHS

## Technical Data

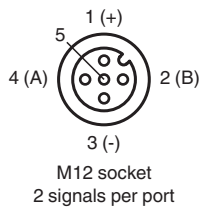
Electrical specifications		
Operating voltage	U <sub>B</sub>	max. 48 V AC/DC
Current loading capacity		≤ 2 A per channel, ≤ 4 A per plug-in station, ≤ 12 A total current per separator
Conformity		
Degree of protection		EN 60529
Plug connection		connector M12 x 1 : IEC 61076-2-101
Flammability		DIN EN 50265-2-1
Oil resistance		DIN VDE 0472-803
Ambient conditions		
Ambient temperature		housing: -30 ... 90 °C (-22 ... 194 °F)
Cable, fixed		-40 ... 90 °C (-40 ... 194 °F)
Cable, flexing		-5 ... 80 °C (23 ... 176 °F)
Mechanical specifications		
Plug connector		
Tightening torque		0.4 Nm
Mating cycles		min. 100
Degree of protection		IP65 / IP67 / IP69
Cable		
Sheath diameter		10.5 mm
Bending radius		> 10 x cable diameter, moving > 7.5 x cable diameter, fixed
Sheath color		black (similar to RAL 9005)
Cores		Signal line (2, 4): 16 x 0.5 mm <sup>2</sup> Supply line (1, 3), PE (5): 3 x 1 mm <sup>2</sup>
Core construction		Signal line (2, 4): 28 x 0.15 mm Supply line (1, 3), PE (5): 56 x 0.15 mm
Length	L	5 m
Cable code		Li YY 11Y-HF
Drag chain suitability		
Drag chain cycles		min. 1500000
Motion velocity		max. 2 m/s
Traverse distance		2 m
Mass		1317.7 g
Material		
PWIS free		yes
Plug connector		
Screw connection		Zinc diecast, nickel-plated
Body		PBT, black
Seal		FPM
Contact surface		Au
Cable		
Sheathing		PUR
Core insulation		PVC
Chemical resistance		good
Oil resistance		yes
Flammability		flame-resistant

Release date: 2023-04-13 Date of issue: 2023-04-13 Filename: 285362\_eng.pdf




**Connection Assignment**



Port/Pin (signal)	Color
1 / 4 (A)	WH
1 / 2 (B)	GY/PK
2 / 4 (A)	GN
2 / 2 (B)	RD/BU
3 / 4 (A)	YE
3 / 2 (B)	WH/GN
4 / 4 (A)	GY
4 / 2 (B)	BN/GN
5 / 4 (A)	PK
5 / 2 (B)	WH/YE
6 / 4 (A)	RD
6 / 2 (B)	YE/BN
7 / 4 (A)	BK
7 / 2 (B)	WH/GY
8 / 4 (A)	VT
8 / 2 (B)	GY/BN
1-8 / 1 (UN)	BN
1-8 / 3 (0 V)	BU
1-8 / 5 (PE)	GN/YE



**Accessories**

	<b>MH 05-SACB-8</b>	Mounting aid for splitter boxes for DIN rail
	<b>MH V1-BIT M12</b>	plug-in cap M12
	<b>VAZ-V1-B3L</b>	Blind plug for M12 sockets

Release date: 2023-04-13 Date of issue: 2023-04-13 Filename: 285362\_eng.pdf