

Model Number

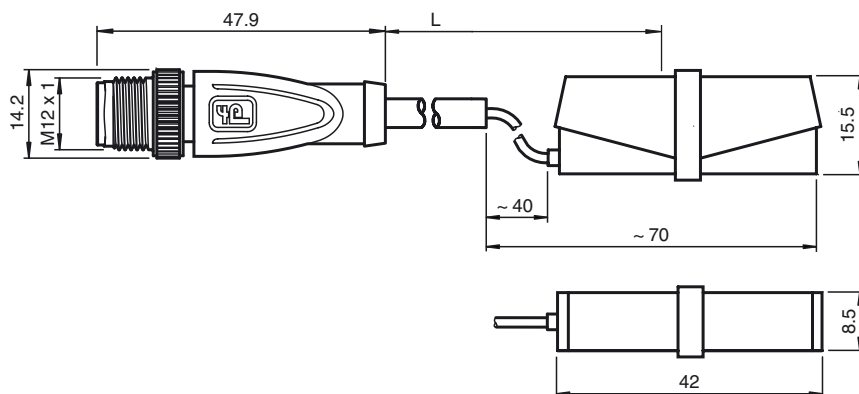
V15S-G-0,3M-PUR-WAGO

Male cordset, M12, 5-pin, PUR cable with WAGO terminals

Features

- Immunity to vibration, with mechanical latching
- Knurled nut suitable for tool assembly
- Gold-plated and machined contacts
- Halogen-free

Dimensions



Technical data

General specifications

Number of pins	5
Connection 1	Male connector
Construction type 1	straight
Threading 1	M12

Electrical specifications

Operating voltage	U_B	max. 48 V AC / 60 V DC
Operating current	I_B	max. 4 A
Volume resistance		< 5 m Ω

Ambient conditions

Ambient temperature	-40 ... 90 °C (-40 ... 194 °F) cable, fixed: -40 ... 80 °C (-40 ... 176 °F) cable, flexing: -20 ... 80 °C (-4 ... 176 °F)
---------------------	---

Pollution degree	3
------------------	---

Mechanical specifications

Pin diameter	1 mm	
Degree of protection	IP20	
Connection	WAGO terminal	
Material		
Contacts	CuSn / Au	
Contact surface	Au	
Body	TPU, green	
Cable	PUR	
Sleeve connector	Diecast zinc	
Core insulation	PP	
Cable	fine-strand, flexible	
Sheath diameter	Ø4.8 mm	
Bending radius	> 10 x cable diameter, moving	
Color	grey	
Cores	5 x 0.34 mm ²	
Conductor construction	19 x 0.15 mm Ø	
Length	L	0.3 m
Flammability		
Contact carrier	94 HB	
Housing	94 V-2	

Compliance with standards and directives

Standard conformity	
Specification	connector M12 x 1 : IEC 61076-2-101

Electrical connection

