



Splitter box M8

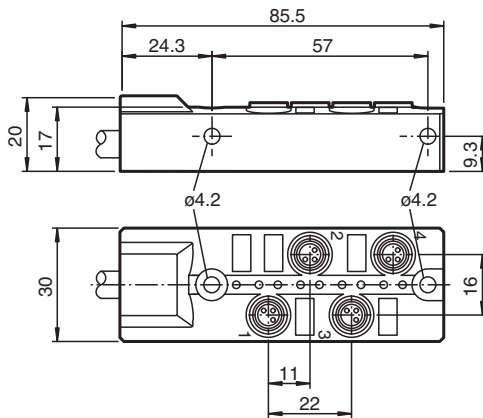
V3-4A-E2-5M-PUR

- Flat housing
- LED indicator for module supply and I/O status
- Degree of protection IP67
- Suitable for drag chains and abrasion resistant

Splitter box 4 x M8 single allocation, with trunk cable



Dimensions



Technical Data

General specifications

Connector 1		
Connection		socket
Construction type		4x M8
Locking		screw connection
Number of pins		3
Coding		A-coded
Connector 2		
Connection		cable end
UL File Number		E223772

Indicators/operating means

LED green		supply voltage each module
LED yellow		I/O status indication

Electrical specifications

Operating voltage	U_B	24 V DC, max. 30 V DC
Operating current	I_B	≤ 5 mA per channel indication element

Release date: 2023-04-28 Date of issue: 2023-04-28 Filename: 70132535_eng.pdf

Refer to "General Notes Relating to Pepperl+Fuchs Product Information".

Pepperl+Fuchs Group
www.pepperl-fuchs.com

USA: +1 330 486 0001
fa-info@us.pepperl-fuchs.com

Germany: +49 621 776 1111
fa-info@de.pepperl-fuchs.com

Singapore: +65 6779 9091
fa-info@sg.pepperl-fuchs.com

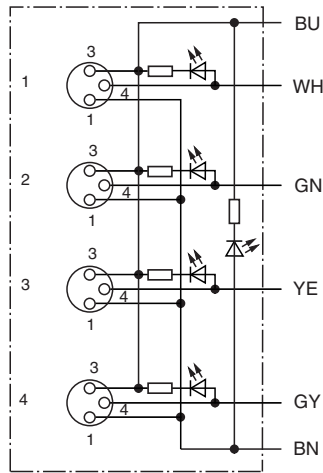
PEPPERL+FUCHS

Technical Data

Current loading capacity		≤ 2 A per channel, ≤ 2 A per plug-in station, ≤ 6 A total current per splitter box
Conformity		
Degree of protection		EN 60529
Plug connection		connector M8 x 1 : IEC 61076-2-104
Flammability		UL 94
Approvals and certificates		
UL approval		AWM STYLE 20549 (cable)
Ambient conditions		
Ambient temperature		
Plug connector		-25 ... 80 °C (-13 ... 176 °F)
Cable, fixed		-40 ... 90 °C (-40 ... 194 °F)
Cable, flexing		-5 ... 80 °C (23 ... 176 °F)
Mechanical specifications		
Plug connector		
Tightening torque		0.2 Nm
Mating cycles		min. 100
Degree of protection		IP67
Cable		
Sheath diameter		6.8 mm
Bending radius		> 10 x cable diameter, moving > 7.5 x cable diameter, fixed
Sheath color		black (similar to RAL 9005)
Cores		Signal wires (4): 4 x 0.34 mm ² Supply line (1, 3): 2 x 0.75 mm ²
Cores color		Core 1/4 (A): white Core 2/4 (A): green Core 3/4 (A): yellow Core 4/4 (A): grey Core 1 ... 4/1 (+24 V): brown Core 1 ... 4/3 (0 V): blue
Core construction		Signal line (4): 19 x 0.15 mm Supply line (1, 3): 42 x 0.15 mm
Length	L	5 m
Cable code		Li YY 11Y-HF
Drag chain suitability		
Drag chain cycles		min. 1500000
Motion velocity		max. 2 m/s
Traverse distance		2 m
Material		
PWIS free		yes
Plug connector		
Screw connection		Cu alloy , nickel-plated
Body		PBT, black
Seal		FKM
Contact surface		Ni/Au
Flammability		V-0
Cable		
Sheathing		PUR
Core insulation		PVC
Chemical resistance		good
General information		
Note		During installation of cables respect the maximum allowed bending radius. Excessive bending forces endanger the degree of protection. Secure the connector from mechanical forces, for example by means of cable ties. Close unused plug-in slots prior to commissioning. Respective sealing elements you will find under "accessories".

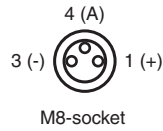
Release date: 2023-04-28 Date of issue: 2023-04-28 Filename: 70132535_eng.pdf

Connection



Core colour	M8-socket/pole
WH	1/4 (A)
GN	2/4 (A)
YE	3/4 (A)
GY	4/4 (A)
BN	1 ... 4/1 (+24 V)
BU	1 ... 4/3 (0 V)

Displays



Accessories

	<p>VAZ-V3-B</p>	<p>Blind plug for M8 sockets</p>
--	------------------------	----------------------------------

Release date: 2023-04-28 Date of issue: 2023-04-28 Filename: 70132535_eng.pdf