

Y connection cable

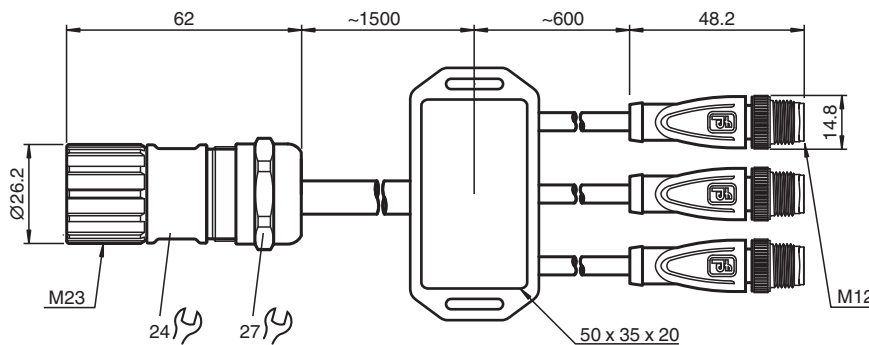
V1S-G-0,5M-PUR-A-3T-1,5M-V23-G

- Image is generic for this device type and may deviate from the specific variant

Y connection cable M23 plug straight A-coded 12-pin to 3x M12 plug straight A-coded 4-pin, 4x PUR cable black



Dimensions



Technical Data

General specifications	
Connector 1	
Connection	plug
Construction type	M12
Style	straight
Locking	screw connection
Number of pins	4
Coding	A-coded
Connector 2	
Connection	plug
Construction type	M12
Style	straight
Locking	screw connection
Number of pins	4
Coding	A-coded
Connector 3	

Release date: 2023-05-04 Date of issue: 2023-05-04 Filename: 262888_eng.pdf

Refer to "General Notes Relating to Pepperl+Fuchs Product Information".

Pepperl+Fuchs Group
www.pepperl-fuchs.com

USA: +1 330 486 0001
fa-info@us.pepperl-fuchs.com

Germany: +49 621 776 1111
fa-info@de.pepperl-fuchs.com

Singapore: +65 6779 9091
fa-info@sg.pepperl-fuchs.com

 PEPPERL+FUCHS

Technical Data

Connection		plug
Construction type		M12
Style		straight
Locking		screw connection
Number of pins		4
Coding		A-coded
Connector 4		
Connection		plug
Construction type		M23
Style		straight
Locking		screw connection
Number of pins		12
Coding		A-coded
Electrical specifications		
Operating voltage	U _B	max. 48 V AC / 60 V DC
Operating current	I _B	max. 4 A
Conformity		
Degree of protection		EN 60529
Plug connection		connector M12 x 1 : IEC 61076-2-101
Approvals and certificates		
CCC approval		This product is not subject to authorization and therefore does not bear a CCC marking.
Maximum permissible operating voltage		max. 75 V AC/DC
Ambient conditions		
Ambient temperature		
Plug connector		-40 ... 90 °C (-40 ... 194 °F)
Connector 4		-40 ... 125 °C (-40 ... 257 °F)
Cable, fixed		-40 ... 80 °C (-40 ... 176 °F)
Cable, flexing		-25 ... 80 °C (-13 ... 176 °F)
Pollution degree		2
Mechanical specifications		
Plug connector		
Tightening torque		0.6 Nm
Loosening protection		available
Tool installation		straight knurling
Mating cycles		min. 100
Connector 4		
Tool installation		straight knurling , SW = 24 mm and SW = 27 mm
Mating cycles		min. 50
Degree of protection		IP67 / IP68 / IP69
Cable		
Sheath diameter		Ø8.8 mm / Ø4.8 mm
Bending radius		> 5 x cable diameter, moving
Sheath color		black (similar to RAL 9005)
Cores		10 x 0.34 mm ² 4 x 0.34 mm ²
Core construction		42 x 0.1 mm / 19 x 0.15 mm Ø
Length	L	L1 = 0.6 m L2 = 0.6 m L3 = 0.6 m L4 = 1.5 m
Material		
Plug connector		
Screw connection		Zinc diecast, nickel-plated
Body		TPU, black

Release date: 2023-05-04 Date of issue: 2023-05-04 Filename: 262888_eng.pdf

Refer to "General Notes Relating to Pepperl+Fuchs Product Information".

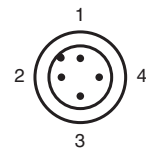
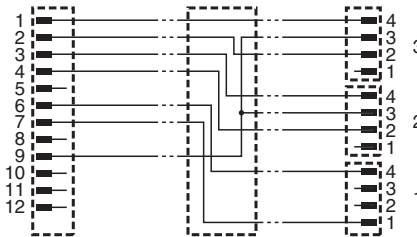
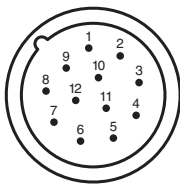
Pepperl+Fuchs Group
www.pepperl-fuchs.comUSA: +1 330 486 0001
fa-info@us.pepperl-fuchs.comGermany: +49 621 776 1111
fa-info@de.pepperl-fuchs.comSingapore: +65 6779 9091
fa-info@sg.pepperl-fuchs.com

PEPPERL+FUCHS

Technical Data

Contact surface	Au
Flammability	V-2
Connector 4	
Body	Zinc diecast, nickel-plated
Contact surface	Au / Ni
Cable	
Sheathing	PUR based on polyether
Core insulation	PP
Flammability	FT2

Connection



Release date: 2023-05-04 Date of issue: 2023-05-04 Filename: 262888_eng.pdf