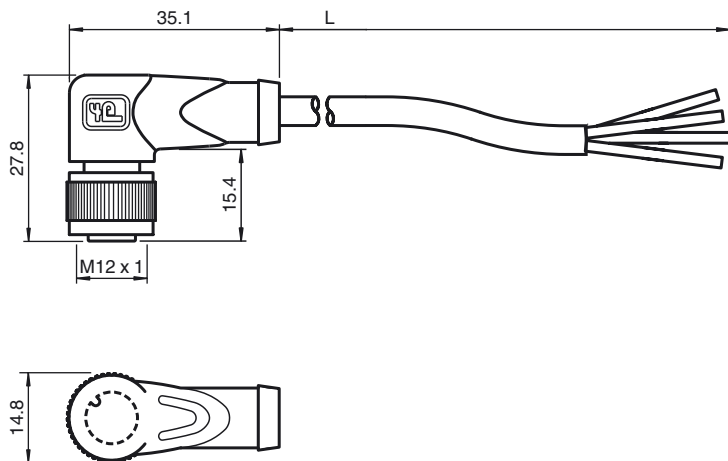




**Dimensions**



**Model Number**

**V1-W-BK2M-PUR-06**

Single-ended female cordset, M12, PUR cable, 4-pin, for rolling stock

**Features**

- Knurled nut suitable for tool assembly
- Immunity to vibration, with mechanical latching
- Gold plated contacts
- Flame resistant cable
- Halogen-free
- Degree of protection IP67
- Resistant to microbes and hydrolysis

**Technical data**

**General specifications**

Number of pins 4

**Electrical specifications**

Operating voltage  $U_B$  max. 250 V  
Lead resistance Max. 40.1  $\Omega$ /km

**Ambient conditions**

Ambient temperature Body -40 ... 90 °C (-40 ... 194 °F)  
Cable: -50 ... 120 °C (-58 ... 248 °F)

**Mechanical specifications**

Contact elements spring-loaded contact socket  
Pin diameter 1 mm

**Material**

Contacts CuSn / Au  
Contact surface Au  
Body TPU, black  
Cable RADOX EM 104  
Slotted nut Diecast zinc  
Core insulation RADOX TI 301

**Cable**

extra-fine wire, flexible  
Sheath diameter  $\varnothing$  4.5 mm  $\pm$  0.2 mm  
Bending radius  $\geq$  4 x cable diameter, moveable  
 $\geq$  3 x cable diameter, fixed

Color black  
Number of cores 4  
Core cross-section 0.5 mm<sup>2</sup>  
Conductor construction 19 x 0.18 mm  $\varnothing$   
Length L 2 m

**Flammability**

Contact carrier 94 HB  
Housing 94 V-2

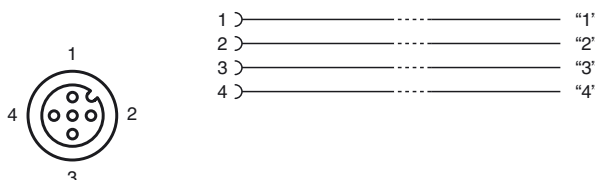
**Compliance with standards and directives**

Standard conformity  
Degree of protection EN 60529:2000  
Standards IEC 61076-2-101:2008  
Flammability NFPA 130  
Chemical resistance EN 50264-1, EN 50306-1

**Approvals and certificates**

Approvals Fire protection on railway vehicles, cat. Ia, Ib, II acc. BS 6853, GM/RT 2130, cat. A1, A2, B acc. NF F16-101 hazard level HL1-HL3 EN 45545, LR1-LR4 acc. UNI CEI 11170 level of protection 1-4 acc. DIN 5510

**Electrical connection**



Release date: 2017-01-09 16:51 Date of issue: 2017-01-12 300794\_eng.xml