



Operating instructions
ClassicLine module

UK

AC5204 / AC5209 / AC5212
AC5235 / AC5236 / AC5237
AC5274

7390889/00 11/2020



Contents

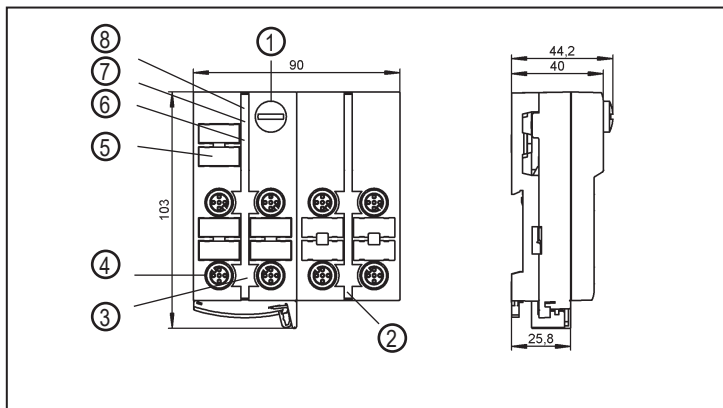
1 Functions and features.....	3
2 Operating and display elements.....	3
3 Installation.....	4
4 Electrical connection.....	9
5 Addressing.....	9
5.1 Addressing with the AC1154 addressing unit.....	9
6 Operation.....	16
7 Technical data.....	16

1 Functions and features

- Maximum number of modules per master:
 - 31 (AC5209, AC5212); 62 (AC5204, AC5235, AC5236, AC5237, AC5274)
- AS-interface version 3.0, downward compatible (AC5204, AC5209, AC5212, AC5274)
- The slaves AC5235, AC5236 and AC5237 can only be operated in conjunction with a version 3.0 master (master profile M4).

2 Operating and display elements

UK



- 1: addressing interface
- 2: LED AUX
- 3: LED
- 4: 8 (7) M12 sockets
- 5: labels
- 6: LED 1
- 7: LED FAULT
- 8: LED PWR

3 Installation

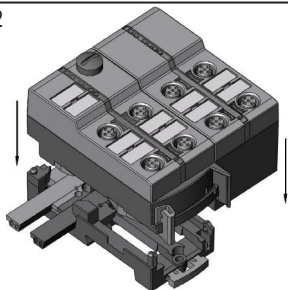
1



Alignment of the flat cable on delivery

Carefully place the yellow and black AS-i flat cable into the profile slot.

2

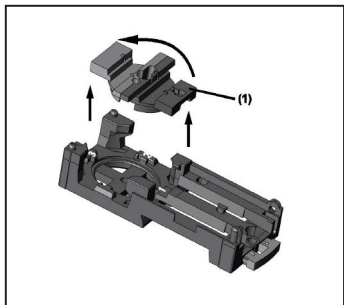


Mount the upper part.

3

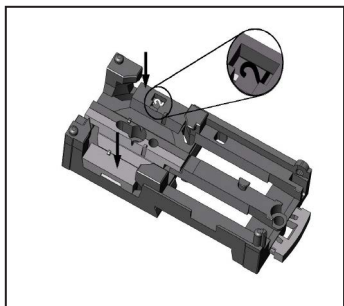


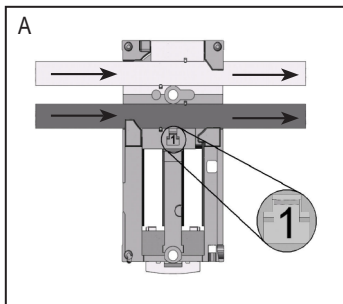
Lock the unit.



With the supplied lower part the flat cable can be aligned in three directions.

For the requested direction place the flat cable guide (1) accordingly.

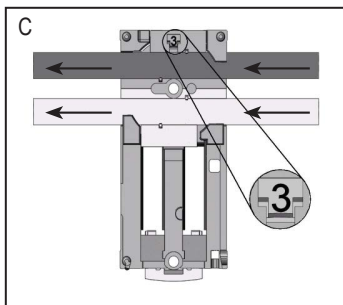
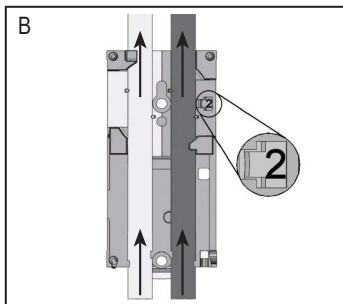


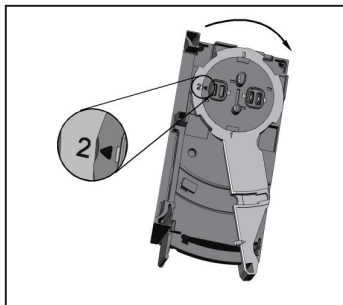


Settings at the lower part

Select the position 1, 2 or 3 depending on the requested flat cable alignment (→).

A = factory setting

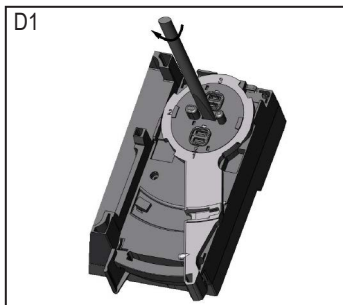




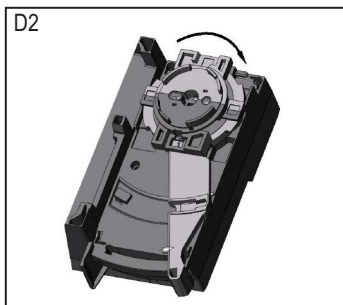
Settings at the upper part

Then set the selected position at the upper part. To do so, turn the triangle to the corresponding number (fig. D1 and D2).

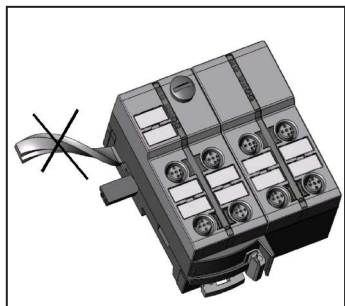
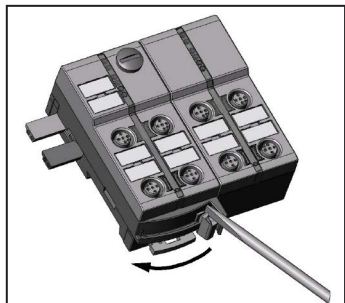
UK



Use a tool, e.g. a screwdriver (figure D1) or the yellow / black flat cable guide (figure D2).



Open the unit



Open the unit using a tool as shown (e.g. screwdriver).

Take care in laying the AS-i flat cable, the flat cable should be laid straight for about 15 cm.

4 Electrical connection

Connect the plugs of the sensors / actuators to the M12 sockets, tightening torque 0.6...0.8 Nm.

To guarantee protection rating IP 67

- cover the unused sockets with protective caps (E73004)*, tightening torque 0.6...0.8 Nm.
- the flat cable end seal (E70413)* must be used if the module is at the end of the cable line.
- * to be ordered separately

UK

5 Addressing

The address is set to 0 at the factory.

5.1 Addressing with the AC1154 addressing unit

When mounted and wired the module can be addressed with the addressing cable (E70213) via the integrated addressing interface.

If a slave with the extended addressing mode (AC5204, AC5274) is used in combination with a master of the first generation (version 2.0), the parameter P3 must be 1 and the output bit D3 must be 0*. The output bit D3 and the parameter bit P3 must not be used. * default setting

If a slave with the extended addressing mode is used in combination with a master of the first generation (version 2.0), an address between 1A and 31A must be assigned to this slave.

AC5204

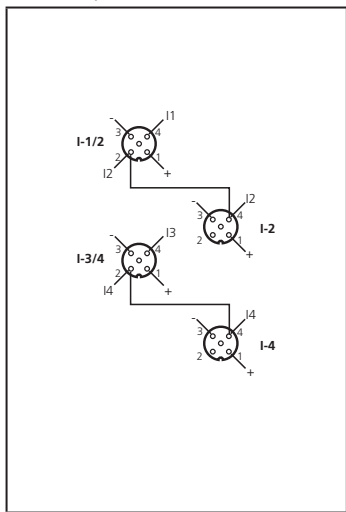
4 inputs / 3 outputs

AS-i profile S-7.A.E / extended addressing mode: yes

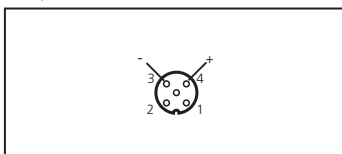
Data bit	D0		D1		D2		D3	
Input	I1		I2		I3		I4	
Socket	I-1/2		I-1/2	I-2	I-3/4		I-3/4	I-4

Output	O1		O2		O3		-	
Socket	O-1/2		O-1/2	O-2	O-3		-	

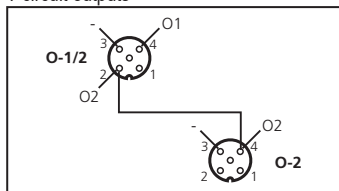
Y-circuit inputs



Output O-3



Y-circuit outputs



AC5209

4 inputs / 4 outputs

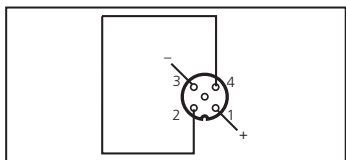
AS-i profile S-7.0.E / extended addressing mode: no

Data bit	D0	D1	D2	D3
Input	I1	I2	I3	I4
Socket	I-1	I-2	I-3	I-4

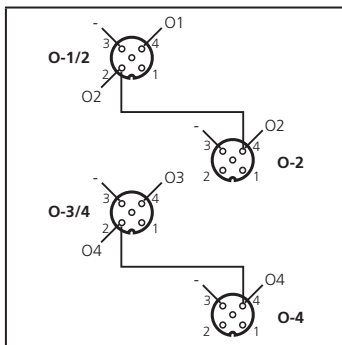
Output	O1	O2	O3	O4
Socket	O-1/2	O-1/2	O-3/4	O-3/4

UK

Inputs



Y-circuit outputs



AC5212

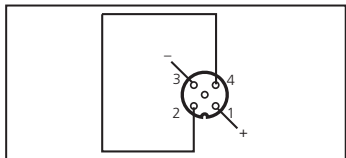
4 inputs / 4 outputs (2 A)

AS-i profile S-7.0.E / extended addressing mode: no

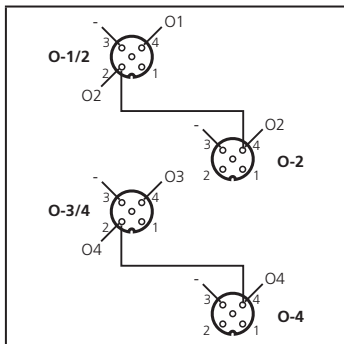
Data bit	D0	D1	D2	D3
Input	I1	I2	I3	I4
Socket	I-1	I-2	I-3	I-4

Output	O1	O2	O3	O4
Socket	O-1/2	O-1/2	O-3/4	O-3/4
		O-2		O-4

Inputs



Y-circuit outputs



AC5235

4 inputs / 4 outputs

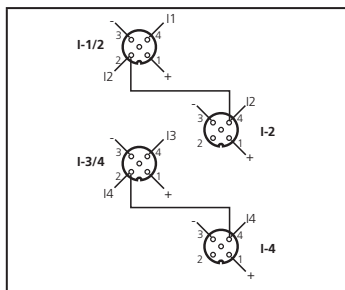
AS-i profile S-7.A.7 / extended addressing mode: yes

Data bit	D0	D1	D2	D3
Input	I1	I2	I3	I4
Socket	I-1/2	I-1/2 I-2	I-3/4	I-3/4 I-4

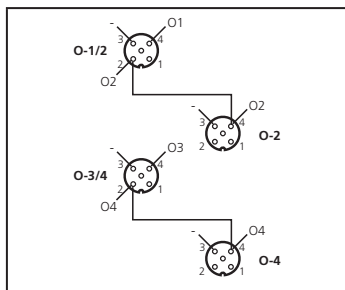
Output	O1	O2	O3	O4
Socket	O-1/2	O-1/2 O-2	O-3/4	O-3/4 O-4

UK

Y-circuit inputs



Y-circuit outputs



AC5236, AC5237

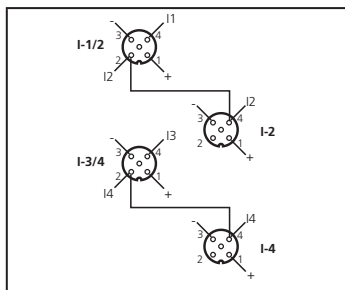
4 inputs / 4 outputs (2 A)

AS-i profile S-7.A.7 / extended addressing mode: yes

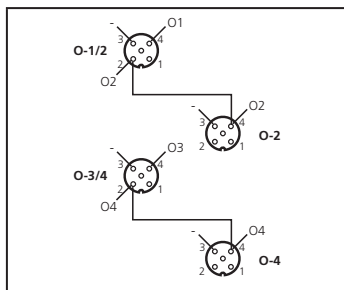
Data bit	D0	D1	D2	D3
Input	I1	I2	I3	I4
Socket	I-1/2	I-1/2 I-2	I-3/4	I-3/4 I-4

Output	O1	O2	O3	O4
Socket	O-1/2	O-1/2 O-2	O-3/4	O-3/4 O-4

Y-circuit inputs



Y-circuit outputs



AC5274

4 inputs / 3 outputs

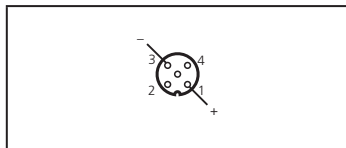
AS-i profile S-7.A.E / extended addressing mode: yes

Data bit	D0	D1	D2	D3
Input	I1	I2	I3	I4
Socket	I-1	I-2	I-3	I-4

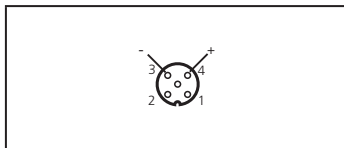
Output	O1	O2	O3	-
Socket	O-1	O-2	O-3	-

UK

Inputs



Outputs



6 Operation



Avoid build-up of dirt and dust on the upper and lower parts so that the locking mechanism is not affected.

- LED yellow: input / output switched
- LED PWR green: AS-i voltage supply ok
- LED AUX green: AUX voltage supply ok
- LED FAULT red lights: AS-i communication error, slave does not participate in the "normal" exchange of data, e.g. slave address 0
- LED FAULT red flashes: peripheral fault, e.g. sensor supply / output overloaded or shorted
- LED 1 yellow: logic state of the outputs

Overload and short circuit of the input supply and the outputs are signalled as peripheral fault to the AS-i master (version 2.1 or higher).

7 Technical data

Technical data and further information at www.ifm.com.