



Operating instructions
AS-i SmartLine module

GB

AC2250
AC2251
AC2252
AC2254
AC2257
AC2261
AC2264
AC2266
AC2267



Contents

1	Preliminary note	3
1.1	Symbols used	3
1.2	Safety symbol on the device	3
1.3	Warnings used	3
2	Safety instructions	4
3	Intended use	5
4	Installation	6
4.1	Installation location	6
4.2	Installation of the device	6
4.3	Identical devices mounted side by side	6
4.4	Deratings for side by side mounting of identical devices	7
4.5	Side by side mounting of different devices	8
4.6	Removing the device	9
4.7	Installation of the sensors	9
5	Electrical connection	10
5.1	General wiring information	10
5.2	Deratings for separately mounted devices	10
5.3	Wiring	11
5.3.1	Digital input and output modules AC2251, AC2257, AC2261 and AC2267	11
5.3.2	Digital input modules AC2250 and AC2254	12
5.3.3	Digital output module AC2252	13
5.3.4	Digital input and output modules AC2264 and AC2266	13
5.4	Connection technology	14
5.5	Connection accessories	14
5.6	AUX supply / fuse	14
6	Set-up / addressing	15
6.1	Addressing with the AC1154 addressing unit	15
7	Operating and display elements	16
7.1	Operation / LEDs	16
7.2	Scale drawing	17
8	Maintenance, repair and disposal	18
8.1	Maintenance	18
8.2	Cleaning the housing surface	18
8.3	Repair	18
8.4	Disposal	18

1 Preliminary note

You will find instructions, technical data, approvals, accessories and further information using the QR code on the unit / packaging or at www.ifm.com.

1.1 Symbols used

- ✓ Requirement
- ▶ Instructions
- ▷ Reaction, result
- [...] Designation of keys, buttons or indications
- Cross-reference
-  Important note
Non-compliance may result in malfunction or interference.
-  Information
Supplementary note




1.2 Safety symbol on the device



Safety symbol on the device:

- ▶ Adhere to the operating instructions for the safe operation of the unit.

1.3 Warnings used

	ATTENTION Warning of damage to property
	CAUTION Warning of personal injury ▷ Slight reversible injuries may result.
	WARNING Warning of serious personal injury ▷ Death or serious irreversible injuries may result.

2 Safety instructions

- The unit described is a subcomponent for integration into a system.
 - The system architect is responsible for the safety of the system.
 - The system architect undertakes to perform a risk assessment and to create documentation in accordance with legal and normative requirements to be provided to the operator and user of the system. This documentation must contain all necessary information and safety instructions for the operator, the user and, if applicable, for any service personnel authorised by the architect of the system.
- Read this document before setting up the product and keep it during the entire service life.
- The product must be suitable for the corresponding applications and environmental conditions without any restrictions.
- Only use the product for its intended purpose (→ Intended use).
- If the operating instructions or the technical data are not adhered to, personal injury and/or damage to property may occur.
- The manufacturer assumes no liability or warranty for any consequences caused by tampering with the product or incorrect use by the operator.
- Installation, electrical connection, set-up, operation and maintenance of the product must be carried out by qualified personnel authorised by the machine operator.
- Protect units and cables against damage.
- Replace damaged units, otherwise the technical data and safety will be impaired.

3 Intended use

- The devices act as digital input and output modules in the AS-i network. They connect max. 4 sensors (2-wire or 3-wire sensors) and max. 4 actuators each with the AS-i master.
- Actuator outputs as high-side semiconductor outputs with overload/short-circuit protection.
- In the control cabinet in an industrial environment (indoors) as a permanently installed device with supply from SELV/PELV according to the technical data.

Operation by trained, authorised specialist personnel due to protection class IP20.

AC2250: 4 digital inputs, sensor supply from AS-i

AC2251: 4 digital inputs / 4 digital outputs (transistor), sensor supply from AS-i

AC2252: 4 digital outputs (transistor)

AC2254: 4 digital inputs, sensor supply from AUX

AC2257: 4 digital inputs / 4 digital outputs (transistor), sensor supply from AUX

AC2261: 4 digital inputs / 4 digital outputs (transistor), sensor supply from AS-i

AC2264: 4 digital inputs / 3 digital outputs (transistor), sensor supply from AS-i

AC2266: 4 digital inputs / 3 digital outputs (transistor), sensor supply from AUX

AC2267: 4 digital inputs / 4 digital outputs (transistor), sensor supply from AUX

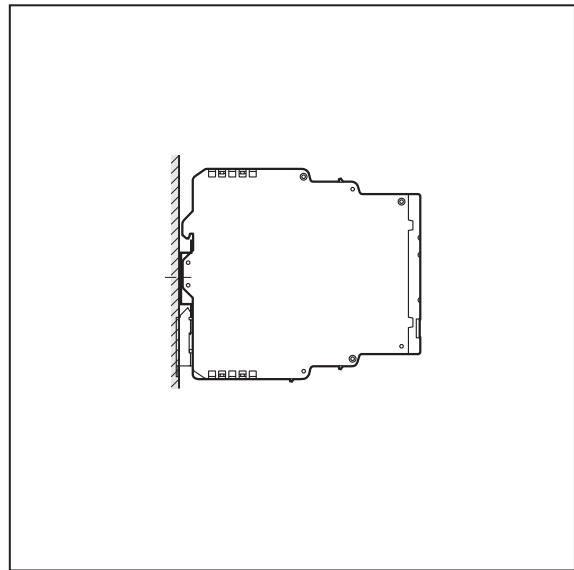
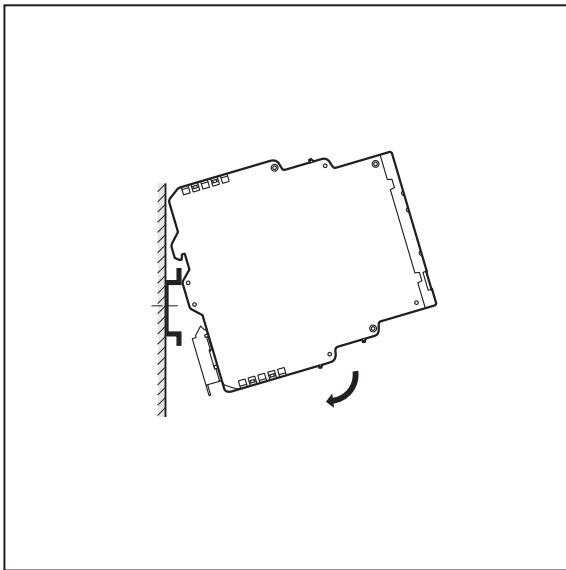
4 Installation

4.1 Installation location

To ensure correct operation, install the device in a housing that can only be opened using a tool or in a locked control cabinet (both protection rating IP 54 or higher) as an enclosure in accordance with EN61010-1.

4.2 Installation of the device

- ▶ Mount the device on a 35 mm DIN rail.



- ▶ Leave enough space (≥ 50 mm) between the device and the top and bottom of the control cabinet to enable air circulation and to avoid excessive heating.

4.3 Identical devices mounted side by side

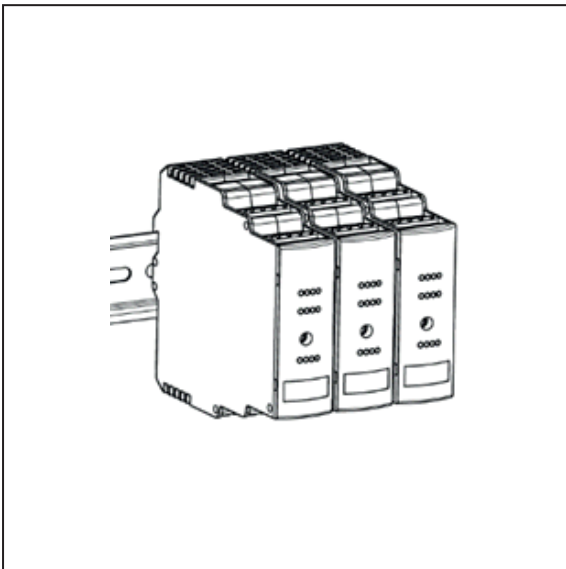


Fig. 1: Identical devices mounted side by side

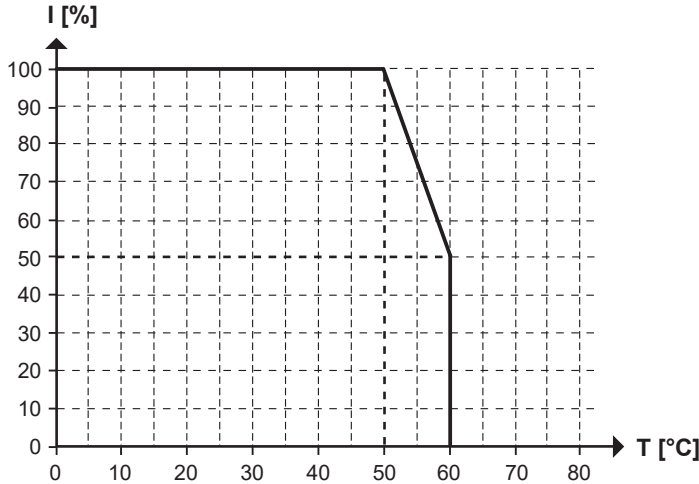
4.4 Deratings for side by side mounting of identical devices

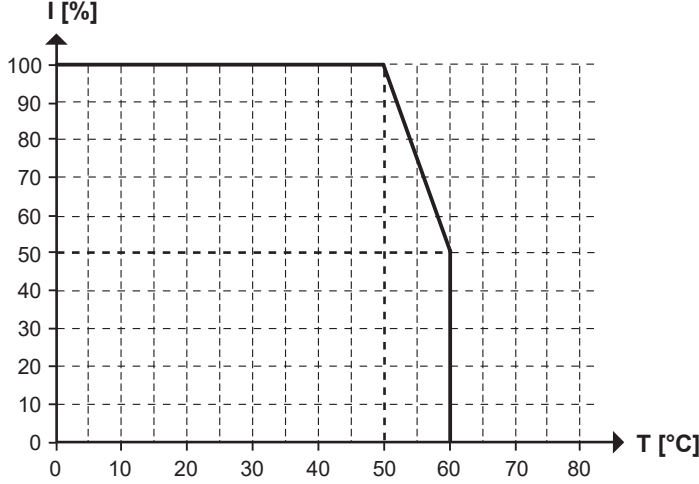
When identical devices are mounted next to each other, derating according to the following tables applies:

Article number	Derating
AC2250	<p>Overall current rating of inputs</p> <p>Ambient temperature -25...60°C / linear derating 50...60°C Overall current rating of inputs 50% each at 60°C corresponds to a sensor current of 100 mA</p>

GB

Article number	Derating
AC2251 AC2257 AC2261 AC2267	<p>Overall current rating of inputs and outputs when mounted side by side</p> <p>Ambient temperature -25...60°C / linear derating 50...60°C Overall current rating of inputs and outputs 50% each at 60°C corresponds to a sensor current of 100 mA and 2 x 1 A or 4 x 0.5 A (example outputs)</p>

Article number	Derating
AC2252	<p>Overall current rating of outputs when mounted side by side</p>  <p>Ambient temperature -25...60°C / linear derating 50...60°C Overall current rating of outputs 50% at 60°C corresponds to 2 x 1 A or 4 x 0.5 A (example)</p>

Article number	Derating
AC2264 AC2266	<p>Overall current rating of inputs and outputs when mounted side by side</p>  <p>Ambient temperature -25...60°C / linear derating 50...60°C Overall current rating of inputs and outputs 50% each at 60°C corresponds to a sensor current of 100 mA and 1 A + 0.5 A or 3 x 0.5 A (example outputs)</p>

4.5 Side by side mounting of different devices

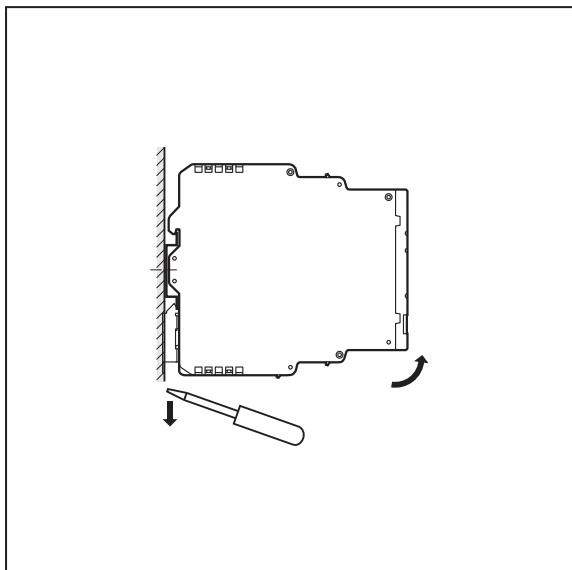
ATTENTION

If units are mounted side by side, inadmissible heating may occur between the units.

▷ Malfunction / damage is possible.

▶ Take into account the internal heating of all devices when mounting different devices side by side and observe the environmental conditions for each device.

4.6 Removing the device



GB

4.7 Installation of the sensors

- ▶ Follow the manufacturer's installation instructions.

5 Electrical connection

5.1 General wiring information



▶ Disconnect the device from the mains supply before installation; if necessary, also disconnect any independently supplied input / output load circuits.

▶ Observe the national and international regulations for the installation of electrical equipment.



AS-i / AUX only permissible as SELV / PELV.

▶ Do not use unconnected terminals which are not shown in the drawing as support point terminals.

Touchable surfaces of the unit are insulated to the AS-i / AUX circuits with basic insulation according to IEC 61010-1 (mains circuit of overvoltage category II up to 300 V nominal mains voltage).

This does not apply to connection areas and cooling openings (IP20)

The AS-i / AUX circuits are insulated from each other with basic insulation according to IEC 61010-1 (secondary circuit with max. 32 V DC, supplied from the mains circuit up to 300 V of overvoltage category II).

The external wiring has to be carried out in a way that ensures the required separation from other circuits.



AC2250, AC2251, AC2261, AC2264

▶ Do not connect the terminals I1...I4 und I+, I- to external potential.



The switch-on and switch-off capacity for triggering solenoids is rated up to 20 W (according to IEC 60947-5-2, utilisation category DC-13).

5.2 Deratings for separately mounted devices

Observe the derating of the current rating depending on the ambient temperature according to the following tables:

Article number	Derating
AC2251 AC2261	<p>Overall current rating of inputs and outputs in case of a single device</p> <p>Ambient temperature -25...70°C / 60...70°C linear derating Overall current rating of inputs and outputs 50% at 70°C corresponds to a sensor current of 100 mA and 2 x1 A or 4 x 0.5 A (example outputs)</p>

Article number	Derating
AC2264	<p>Overall current rating of inputs and outputs in case of a single device</p> <p>Ambient temperature -25...70°C / 60...70°C linear derating Overall current rating of inputs and outputs 50% at 70°C corresponds to a sensor current of 100 mA and 1 A + 0.5 A or 3 x 0.5 A (example outputs)</p>

5.3 Wiring

5.3.1 Digital input and output modules AC2251, AC2257, AC2261 and AC2267

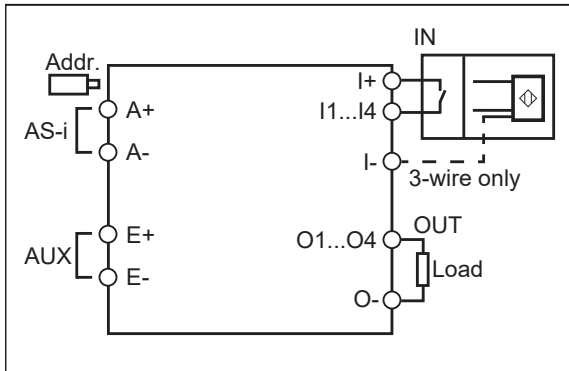
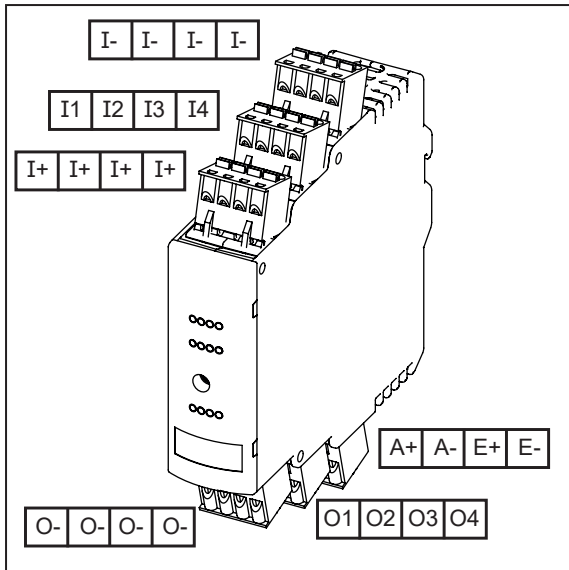


Fig. 2: Wiring



- I-: sensor supply 0 V
- I+: sensor supply +24 V
- AC2251, AC2261: sensor supply via AS-i
- AC2257, AC2267: sensor supply via AUX
- O-: actuator switching output 0 V
- I1...I4: switching input sensor 1...4
- O1...O4: switching output actuator 1...4
- A+: AS-i +
- A-: AS-i -
- E+: external voltage supply (AUX) for sensors (AC2257, AC2267) / actuators +24 V
- E-: external voltage supply (AUX) for sensors (AC2257, AC2267) / actuators +0 V

Fig. 3: Terminal connection

5.3.2 Digital input modules AC2250 and AC2254

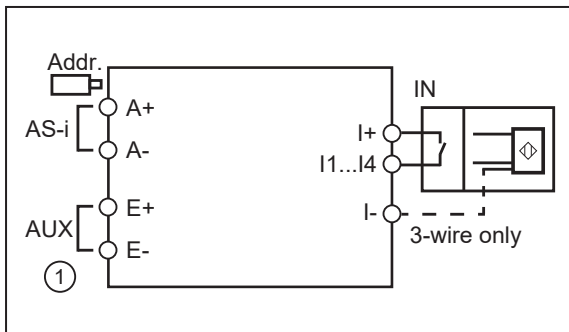
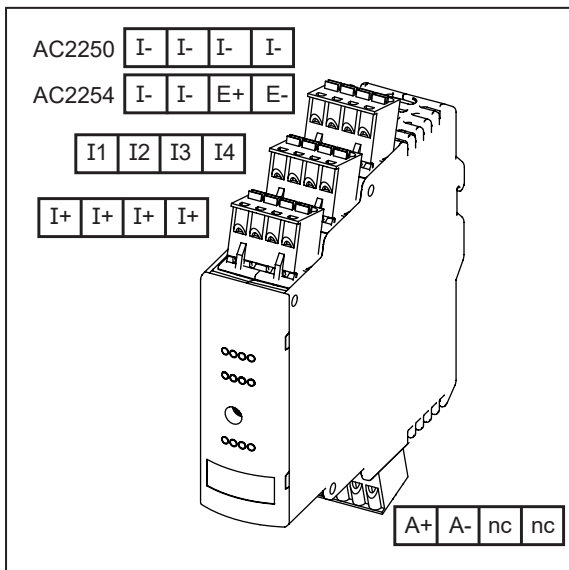


Fig. 4: Wiring
1: only AC2254



- I-: sensor supply 0 V
- I+: sensor supply +24 V
- AC2250: sensor supply via AS-i
- AC2254: sensor supply via AUX
- I1...I4: switching input sensor 1...4
- A+: AS-i +
- A-: AS-i -
- E+: external voltage supply (AUX) for sensors +24 V (only AC2254)
- E-: external voltage supply (AUX) for sensors +0 V (only AC2254)
- nc: not used

Fig. 5: Terminal connection

5.3.3 Digital output module AC2252

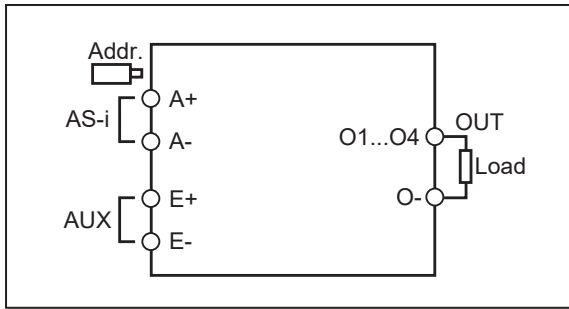


Fig. 6: Wiring

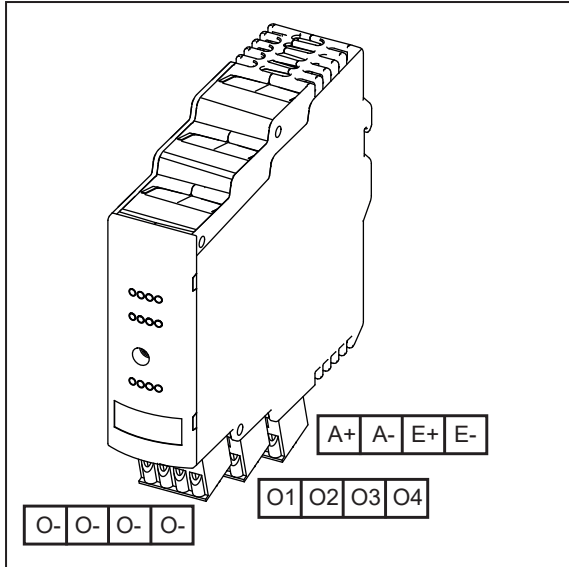


Fig. 7: Terminal connection

- O-: actuator switching output 0 V
- O1...O4: switching output actuator 1...4
- A+: AS-i +
- A-: AS-i -
- E+: external voltage supply (AUX) for actuators +24 V
- E-: external voltage supply (AUX) for actuators +0 V

5.3.4 Digital input and output modules AC2264 and AC2266

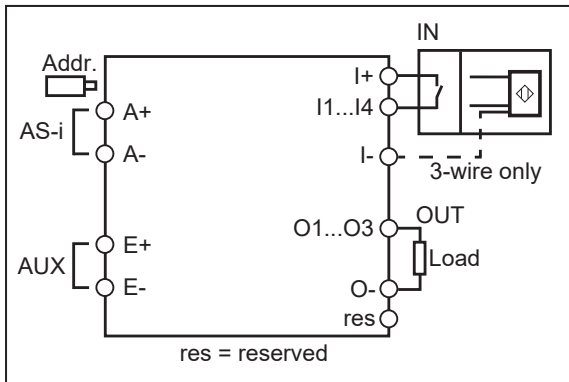
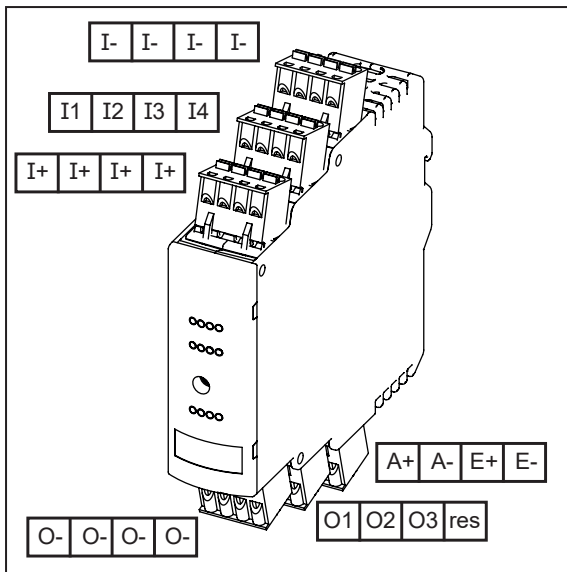


Fig. 8: Wiring



I-: sensor supply 0 V
 I+: sensor supply +24 V
 AC2264: sensor supply via AS-i
 AC2266: sensor supply via AUX
 O-: actuator switching output 0 V
 I1...I4: switching input sensor 1...4
 O1...O3: switching output actuator 1...3
 A+: AS-i +
 A-: AS-i -
 E+: external voltage supply (AUX) for sensors (AC2266) /
 actuators +24 V
 E-: external voltage supply (AUX) for sensors (AC2266) /
 actuators +0 V
 res reserved

Fig. 9: Terminal connection

5.4 Connection technology

ATTENTION

No IP20 protection without connector.

- ▷ Cover unused connectors with terminals.
- ▶ Observe IP 20.

- ▶ Strip the insulation from the connection cables to 10 mm.

5.5 Connection accessories

The device is supplied without connector.

5.6 AUX supply / fuse



Only for connection with an isolating transformer with a UL approved max. 10 A upstream fuse at AUX (E+).

Alternatively, a class 2 power supply can be used to supply AUX.

Alternatively, an energy-limited circuit according to UL61010 can be used to supply AUX.

- ▷ Please note the technical data concerning the AUX supply.



The maximum cable length is 30 m.

6 Set-up / addressing

The address is set to 0 at the factory.

6.1 Addressing with the AC1154 addressing unit

When mounted and wired, the module can be addressed with the addressing cable (E70213) via the integrated addressing interface.

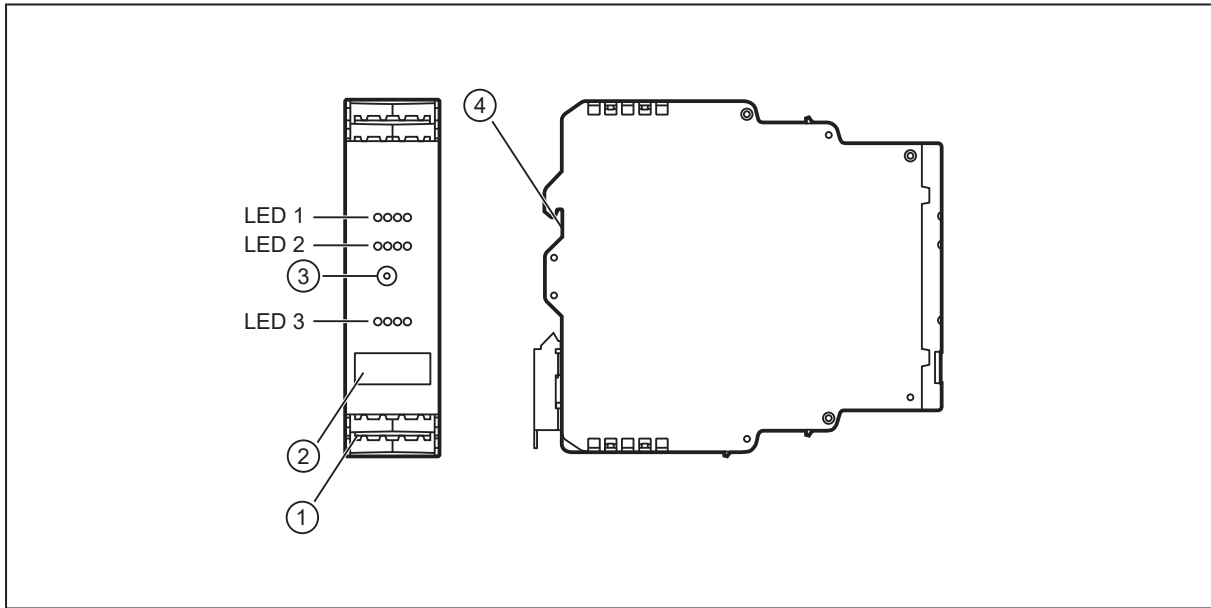
If a slave is used in combination with a master of the new generation (version 2.1), it is possible to select an address between 1A and 31B with the AC1154 addressing unit.

If a slave with the ID code "A" (extended address mode possible) is used in combination with a master of the 1st generation (version 2.0), the parameter P3 must be 1 and the output bit D3 must be 0.* The output bit D3 must not be used.

An address between 1A and 31A must be assigned to this slave.

* Default setting

7 Operating and display elements

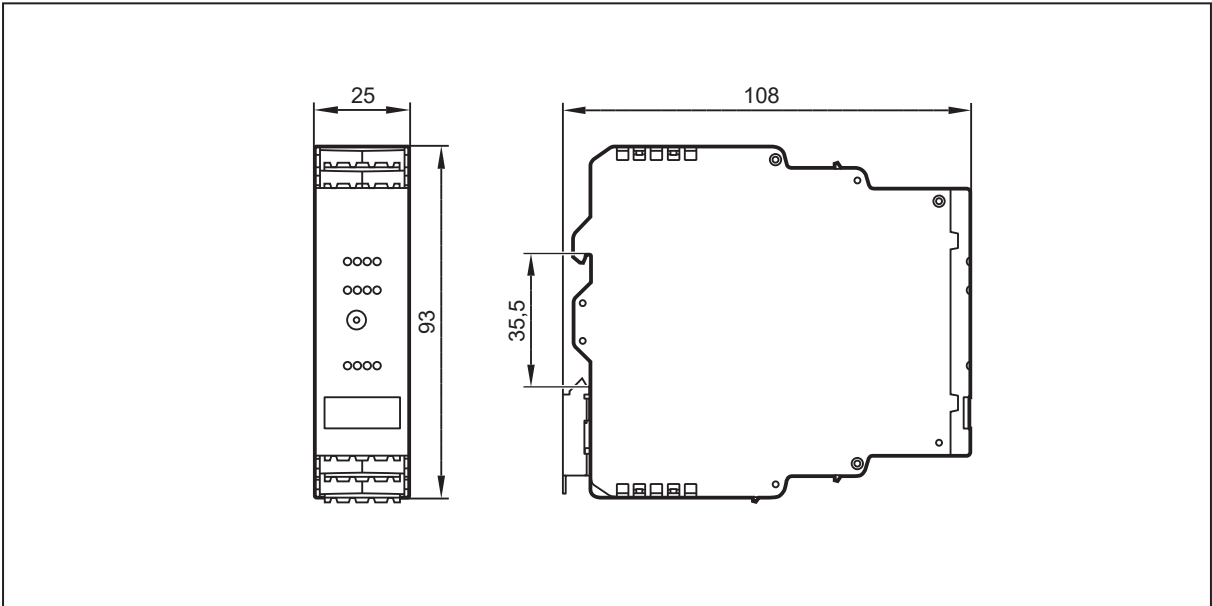


1:	connector with cage clamps	LED 1-1: switching status indication for sensor inputs I1...I4 (except AC2252)
2:	panel for labelling	LED 2-1: AS-i, FAULT, AUX (except for AC2250)
3:	addressing socket	LED 3-1: switching status indication for actuator outputs O1...O4 (except AC2250 and AC2254)
4:	DIN rail mounting	

7.1 Operation / LEDs

LED 1 yellow LED lights:	inputs (I1...I4) switched
LED 2 AS-i green lights:	AS-i voltage supply OK
LED 2 FAULT red lights:	AS-i communication error, slave does not participate in the "normal" exchange of data, e.g. slave address 0
LED 2 FAULT red flashes:	peripheral fault, e.g. sensor supply / output overloaded or shorted
LED 2 AUX green lights:	external voltage supply ok
LED 3 yellow LED lights:	relay output (O1...O3) / (O1...O4) switched

7.2 Scale drawing



GB

8 Maintenance, repair and disposal

8.1 Maintenance

The unit is maintenance-free.

8.2 Cleaning the housing surface

- ▶ Disconnect the device.
- ▶ Clean the device from dirt using a soft, chemically untreated and dry cloth.



Micro-fibre cloths without chemical additives are recommended.

8.3 Repair

- ▶ The device must only be repaired by the manufacturer. Observe the safety instructions (→ 2 Safety instructions) .

8.4 Disposal

- ▶ Dispose of the unit in accordance with the national environmental regulations.